

4

3

2

1

THIS DRAWING IS UNPUBLISHED.  
DIFFUSION RESTREINTE

RELEASED FOR PUBLICATION  
LIBRE A LA DIFFUSION

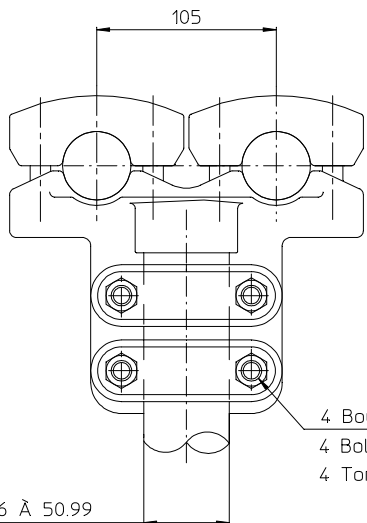
2011

© COPYRIGHT 2011

by Tyco Electronics Corporation

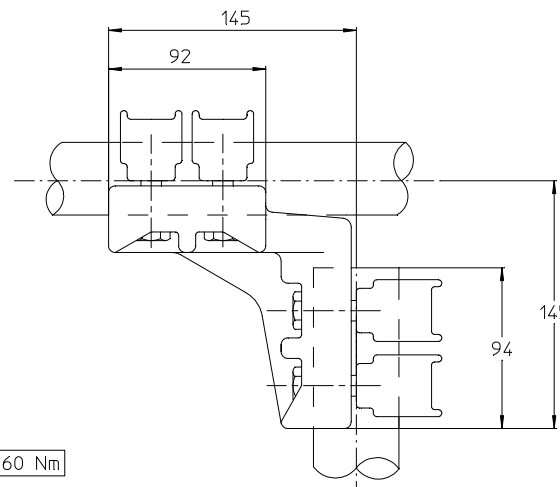
ALL RIGHTS RESERVED.  
TOUS DROITS RESERVES

LOC	DIST	REVISIONS			
P	LTR REV	DESCRIPTION MODIFICATIONS	DATE	DWN DESS	APVD APPR
	O	EQ00-0112-98	23-Apr-98	EN	HV
	A	UPDATED DRAWING	07-Jul-14	BH	-

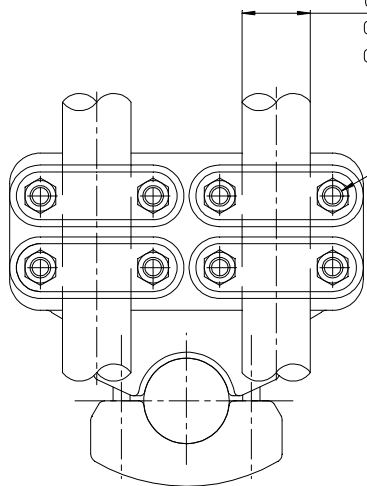


4 Boulons  $\phi 12$  Inox A2  
 4 Bolts 12 DIA Stainless steel A2  
 4 Tornillos  $\phi 12$  Acero inoxidable A2 } 60 Nm


Borne ou tube  $\phi 46$  à 50.99  
 Terminal or tube 46DIA to 50.99  
 Borna o tubo  $\phi 46$  a 50.99



Cable ou tube  $\phi 36$  à 40.99  
 Cable or tube 36 DIA to 40.99  
 Cable o tubo  $\phi 36$  a 40.99



8 Boulons  $\phi 12$  Inox A2  
 8 Bolts 12 DIA Stainless steel A2  
 8 Tornillos  $\phi 12$  Acero inoxidable A2 } 60 Nm

THIS DRAWING IS A CONTROLLED DOCUMENT. LE PLAN EST UN DOCUMENT CONTROLÉ PAR TYCO ELECTRONICS CORPORATION EST SUSCEPTIBLE D'ÊTRE REVISÉ POUR OBTENIR LA DERNIÈRE RÉVISION CONTACTER LE SERVICE TECHNIQUE DE TYCO ELECTRONICS SHEL SAS 4220 LEVENEY-CHAMBERTIN, FRANCE		DWN /DESSINE HUARD	07-JUL-14	 <b>TE connectivity</b> <b>SIMEL PRODUCTS</b>	
DIMENSIONS: mm		CHK/VERIFIE -	-		
TOLERANCES UNLESS OTHERWISE SPECIFIED PER TOLERANCES NON SPECIFIEES SELON :-		APVD/APPROUVE -	-	PRODUCT SPEC SPEC. PRODUCT 02BFC0031	SIZE /FORMAT A3
MATERIAL /MATIERE -		APPLICATION SPEC SPEC. APPLICATION -	-	APPLICATION SPEC SPEC. APPLICATION -	CAGE CODE 00779
FINISH /FINITION -		WEIGHT /MASSE APPROX. 4,1 kg	-	DRAWING NO /No PLAN ©=1306071	RESTRICTED TO /RESERVE A -
		CUSTOMER DRAWING /PLAN CLIENT		UNIQUEMENT /POUR REFERENCE	SCALE /ECHELLE 1/3
				SHEET /FEUILLE 1	OF /DE 1
				REV /A	

ITEM: .....